

Details:

- Flexible and Dual Axis Bendable LED profile.
- Standard product is IP67 Rated for indoor and outdoor use.
- Multiple optics for various applications.

Features:

- Cut Segments in 9.84' up to 16.4'
- Mounting via brackets, clips, straight or curved channel.
- Factory Cutting and Kiting Suggested.
- Power Leads and Connectors included at no charge.

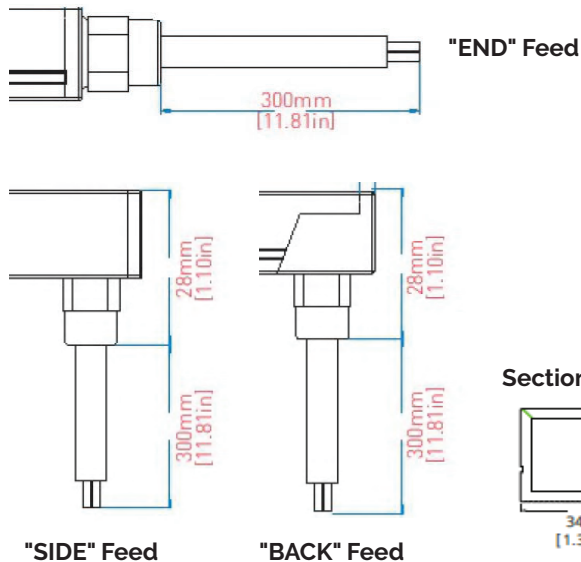
Lighting Features:

- Speciy beam spread for the application.
- 50,000hr. Life (L70) Indoors and 36,000hr Outdoors
- 90CRI Standard
- TM-30 data available at www.conveylighting.com

Also available in RGBW Option.



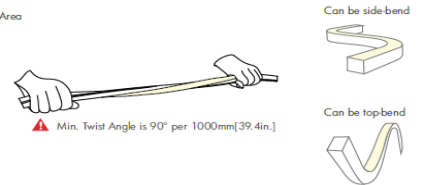
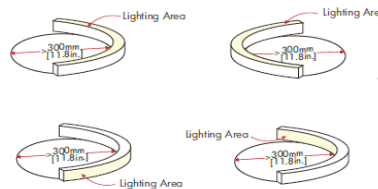
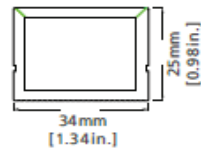
Feed Options:



Specifications:

Average Power Consumption	7.6w per Foot
Voltage	24v DC
Binning	3 step
Cut Increment	9.84" up to 16.4'
Lumens (All colors on)	370m/ft
Max. Connection	16.4'
IP Rating	IP67 Standard

Sectional



Ordering Information:

Example:
FLEX-W-DB-8W-RGB-W27-24-25X50-E-

Model:	CCT(White):	Finish:	Voltage:	Optic:	Feed Type:	Mounting:
FLEX-W-DB-8W-RGB	W27 2700K, W30 3000K, W35 3500K, W40 4000K,	WH White BK Black	24 24v	25 Degrees 40 50 25x50 45x30	E End Feed S Side Feed B Back Feed	MC Mounting Clip MB Mounting Bracket MPS Profile Straight MPF Profile Flexible

Mounting:

