

**Details:**

- Standard model is UL listed for Dry, Damp and Wet Location Use.
- Multiple electrical knockouts with easily removable wiring compartment cover.
- Durable powdercoated black finish - option finished available for open ceiling applications - Consult factory with RAL finish needed.
- Compatible with any of Conveys 24v Constant Voltage Tunable White Products.
- Separated High and Low Voltage wiring compartments.

**Dimming Features:**

- DALI2 (D4i certificate for 96w) - 120/277v Input.
- Dimming Range is 0.1% to 100%
- 4K Flicker Free.

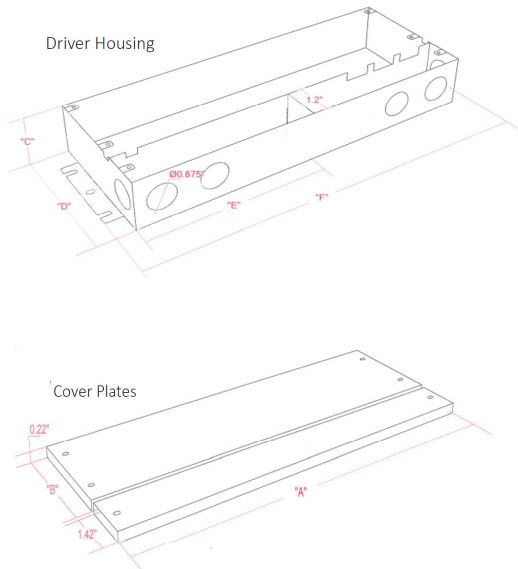
**Optional Factory Installed Items:**

- Cord/Plug - 9' 16/3 SJ Cord with Grounded Plug.
- MC Flex - 9' 14/3 MC Cable Flex.
- RAL Finish - For applications where drivers could be visible.
- LUT - Factory installed Lutron Node (supplied by others).



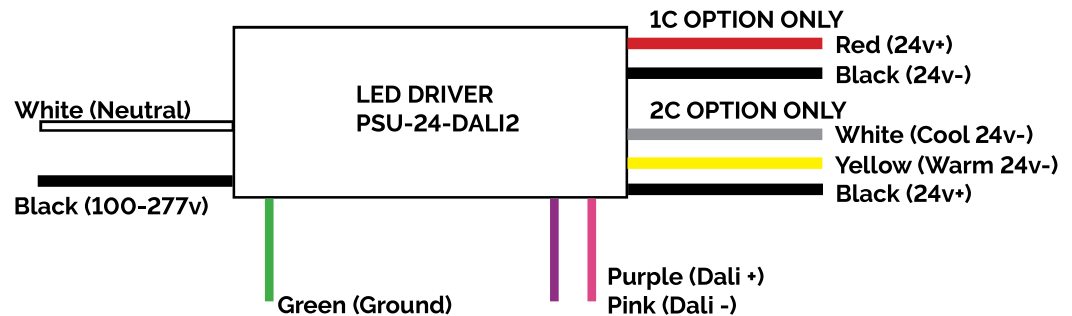
**Dimensional Information: Only for 1x96w Version**

**Profile:**



- "A" = 8.50"
- "B" = 3.11"
- "C" = 1.69"
- "D" = 4.72"
- "E" = 3.14"
- "F" = 9.48"

**Wiring Diagram:**



**Ordering Information:**

Example:  
T-PSU-24-DALI-1C-1X96W-UNV

Model:  - Output Wattage:  - Dimming:  - Options:

**T-PSU-24-DALI-1C**  
*Static White Applications*

**1x96w**

**UNV**

LUT ATHENA NODE  
CP9 9' CORD/PLUG  
FLEX 9' MC CABLE FLEX  
RAL CUSTOM PAINT

Consult factory for other sizes and output channels available as special order

1x30w  
1x60w  
1x150w  
1x300w  
1x600w

**T-PSU-24-DALI-2C**  
*Tunable White Applications*

Consult factory for other sizes available as special order  
**1x30w**  
**1x60w**  
**1x150w**  
**1x300w**  
**1x600w**

CP9,FLEX and RAL can be included with other options

3C - RGB  
4C - RGBW  
5C - RGB+TW

