

Details:

- Standard model is UL listed for Dry, Damp and Wet Location Use.
- Multiple electrical knockouts with easily removable wiring compartment cover.
- Durable powdercoated black finish - option finished available for open ceiling applications - Consult factory with RAL finish needed.
- Compatible with any of Conveys 24v Constant Voltage Tunable White Products.
- Separated High and Low Voltage wiring compartments.

Dimming Features:

- Two Channel 0-10v Dimming/Intensity - 120/277v Input.
- Dimming Range is 0.1% to 100%

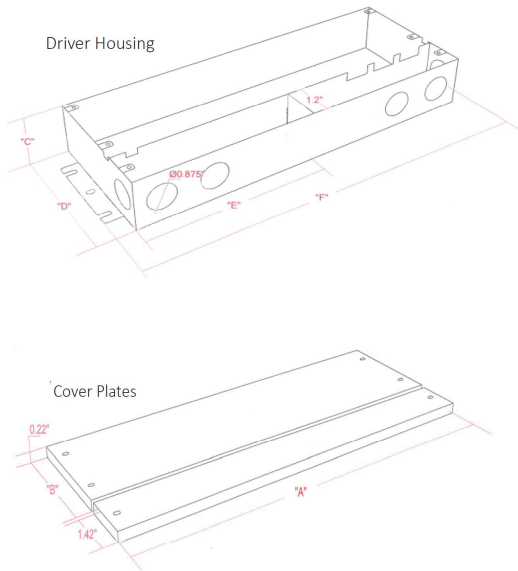
Optional Factory Installed Items:

- Cord/Plug - 9' 16/3 SJ Cord with Grounded Plug.
- MC Flex - 9' 14/3 MC Cable Flex.
- RAL Finish - For applications where drivers could be visible.
- POT - Two onboard Potentiometers (Dimming and CCT Intensity)



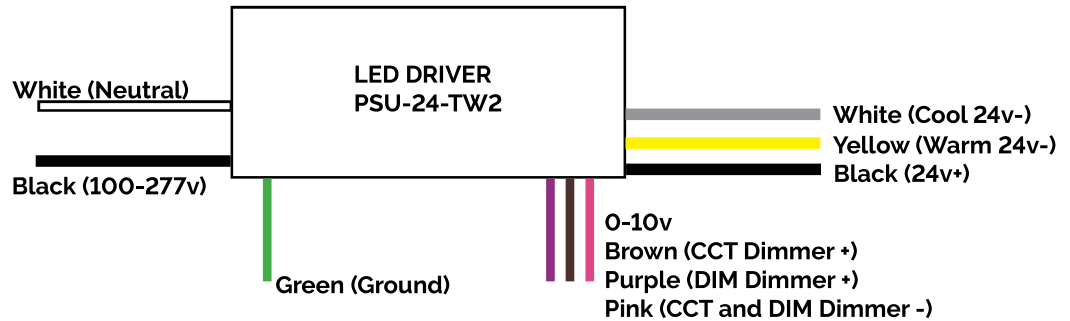
Dimensions (Inches) and Weight (lbs) Data: (Subject to Change)

Profile:



- "A" = 8.50"
- "B" = 3.11"
- "C" = 1.69"
- "D" = 4.72"
- "E" = 3.14"
- "F" = 9.48"

Wiring Diagram:



Ordering Information:

Example:
T-PSU-24-TW2-1X96W-UNV

Model: - Output Wattage: - Dimming: - Options:

T-PSU-24-TW2

1x96w

UNV

- POT 0-10V
- CP9 9' CORD/PLUG
- FLEX 9' MC CABLE FLEX
- RAL CUSTOM PAINT

CP9,FLEX and RAL can be included with other options

