

## Details:

- Flexible and Dual Axis Bendable LED profile.
- Standard product is IP67 Rated for indoor and outdoor use.
- Multiple optics for various applications.

## Features:

- Cut Segments in 9.84' up to 16.4'
- Mounting via brackets, clips, straight or curved channel.
- Factory Cutting and Kiting Suggested.
- Power Leads and Connectors included at no charge.

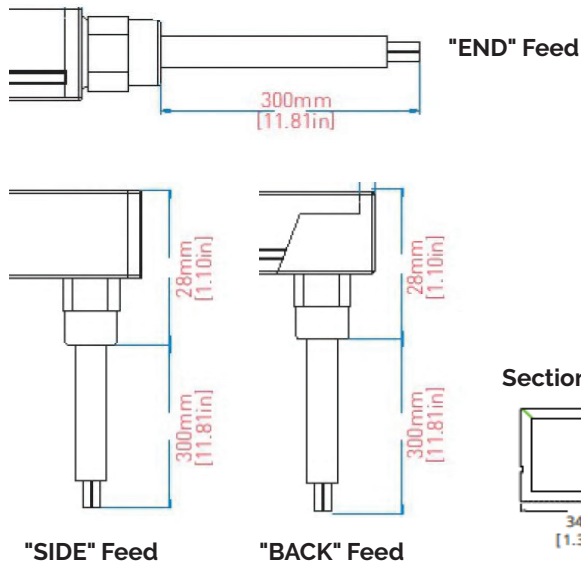
## Lighting Features:

- Speciy beam spread for the application.
- 50,000hr. Life (L70) Indoors and 36,000hr Outdoors
- 90CRI Standard
- TM-30 data available at [www.conveylighting.com](http://www.conveylighting.com)

Also available in RGBW Option.

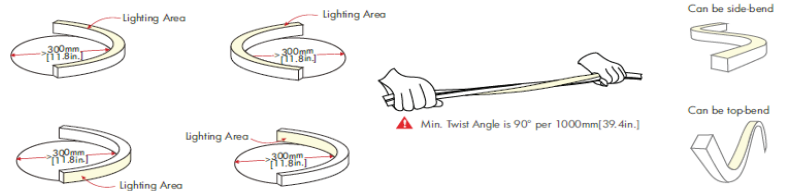


## Feed Options:



## Specifications:

Average Power Consumption	7.6w per Foot
Voltage	24v DC
Binning	3 step
Cut Increment	9.84" up to 16.4'
Lumens @ 4000k / 90CRI	650lm/ft
Max. Connection	16.4'
IP Rating	IP67 Standard

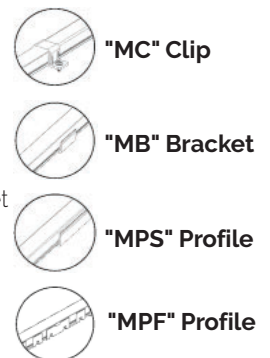


## Ordering Information:

Example:  
FLEX-W-DB-8W-SW-27-24-25X50-E-MPF

Model:	CCT(White):	Finish:	Voltage:	Optic:	Feed Type:	Mounting:
<input type="text"/>	<input type="text"/>	<input type="text"/>	<input type="text"/>	<input type="text"/>	<input type="text"/>	<input type="text"/>
<b>FLEX-W-DB-8W-SW</b>	<b>27</b> 2700K, <b>30</b> 3000K, <b>35</b> 3500K, <b>40</b> 4000K,	<b>WH</b> White <b>BK</b> Black	<b>24</b> 24v	<b>10</b> Degrees <b>15</b> <b>20</b> <b>25</b> <b>30</b> <b>40</b> <b>50</b> <b>25x50</b> <b>45x30</b>	<b>E</b> End Feed <b>S</b> Side Feed <b>B</b> Back Feed	<b>MC</b> Mounting Clip <b>MB</b> Mounting Bracket <b>MPS</b> Profile Straight <b>MPF</b> Profile Flexible

## Mounting:



**LM-80**  
1 BIN/3-STEP