

**Details:**

- Standard model is UL listed for Dry, Damp and Wet Location Use.
- Multiple electrical knockouts with easily removable wiring compartment cover.
- Durable powdercoated black finish - option finished available for open ceiling applications - Consult factory with RAL finish needed.
- Compatible with any of Conveys 24v Constant Voltage Products.
- Separated High and Low Voltage wiring compartments.

**Dimming Features:**

- 0-10v Dimming - 120/277v Input.
- Triac and ELV (Forward and Reverse Phase) Dimming @ 120v.
- 277v dimming requires use of 0-10v Dimming Wires. Otherwise non-Dimming @ 277v.

**Optional Factory Installed Items:**

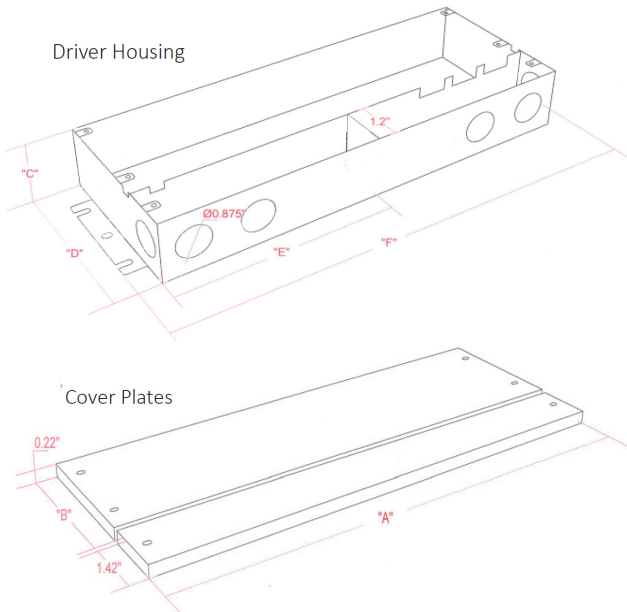
- On Board 0-10v Potentiometer for individual driver dim levels.
- Lutron Vive Dimmable Power Pak - Not Factory Programmed.
- Casambi CBU Series Controllers - Specify Controller Needed.
- Cord/Plug - 9' 16/3 SJ Cord with Grounded Plug.
- MC Flex - 9' 14/3 MC Cable Flex.
- RAL Finish - For applications where drivers could be visible.



**Dimensions (Inches) and Weight (lbs) Data: (Subject to Change)**

Model	Weight	"A"	"B"	"C"	"D"	"E"	"F"
1x30	1.9	5.94"	2.32"	1.54"	3.54"	2.91"	6.50"
1x60	2.3	6.85"	2.32"	1.54"	3.54"	3.39"	7.40"
1x96	3.0	8.07"	2.32"	1.54"	3.54"	3.97"	8.66"
1x120	3.0	8.07"	2.32"	1.54"	3.54"	3.97"	8.66"
1x150	4.0	9.41"	2.72"	1.73"	3.94"	4.65"	10.24"
1x200	4.0	9.41"	2.72"	1.73"	3.94"	4.65"	10.24"
1x300	5.5	10.12"	2.91"	1.73"	4.13"	4.96"	10.94"
2x96	4.7	10.12"	2.91"	1.73"	4.13"	4.96"	10.94"
3x96	5.5	11.06"	2.91"	1.73"	4.13"	5.39"	11.85"
4x96	5.7	11.93"	2.91"	2.05"	5.51"	4.72"	12.72"

**Profile:**



**Ordering Information:**

Example:  
T/PSU-24-1X96W-UNV-LUT

Model:  - Output Wattage:  - Dimming:  - Options:

- T/PSU-24**
- 1x30W
  - 1x60W
  - 1x96W
  - 1x120W
  - 1x150W
  - 1x200W
  - 1x300W
  - 2x96W (\*)
  - 3x96W (\*)
  - 4x96W (\*)

**UNV**

- POT** 0-10V POTENTIOMETER  
**LUT** LUTRON VIVE  
**CAS** CASAMBI MODULE  
**CP9** 9' CORD/PLUG  
**FLEX** 9' MC CABLE FLEX  
**RAL** CUSTOM PAINT

CP9,FLEX and RAL can be included with other options

Refer to Covey Wiring Diagrams for various Dimming Protocols.

(\*) Single Input





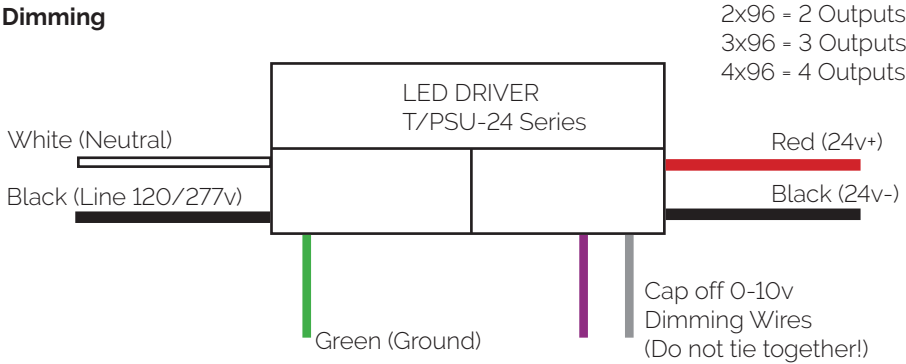
3x96 Shown

Convey Drivers feature separate input (120/277v) and output (24v and 0-10v Dimming) wiring compartments.

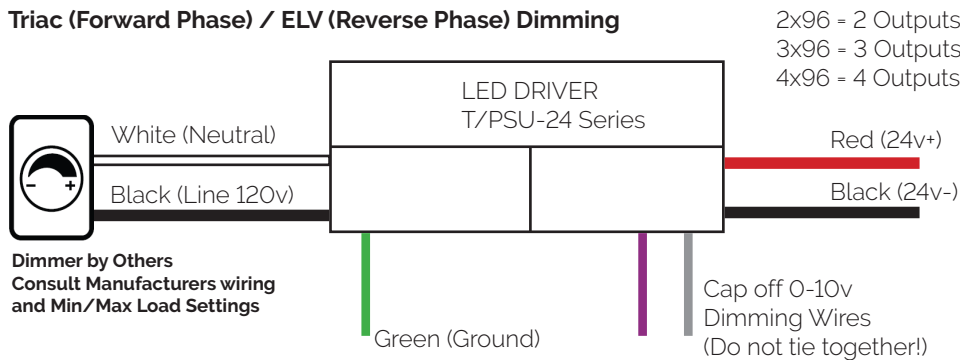
Drivers should be installed in a ventilated space and by a qualified electrician. Local and National Electrical Codes should be followed.

Installing contractor shall use appropriate wire connectors based on the application (Dry, Damp, Wet Location).

**Non Dimming**

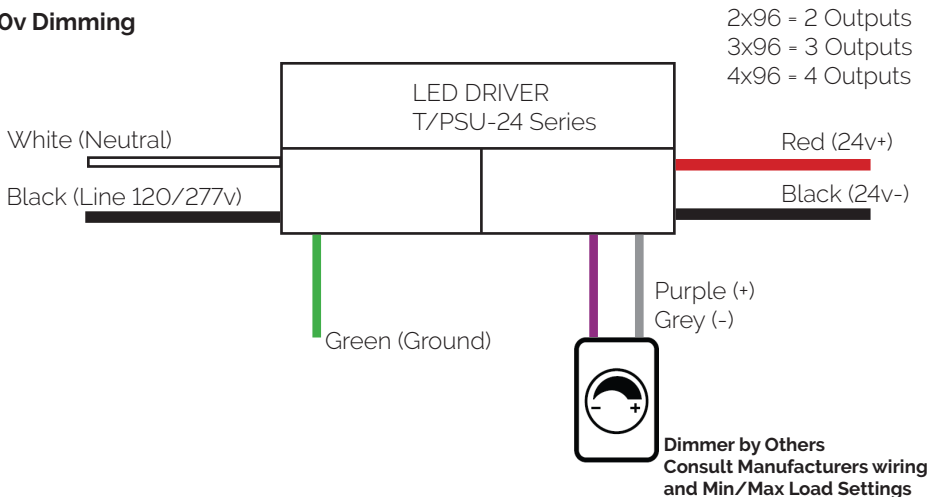


**Triac (Forward Phase) / ELV (Reverse Phase) Dimming**



Dimmer by Others  
Consult Manufacturers wiring  
and Min/Max Load Settings

**0-10v Dimming**



**Electrical Data**

Model	Amps @ 120v	Amps @ 277v	Amps @ 24v
1x30	0.25	0.11	1.25
1x60	0.50	0.22	2.50
1x96	0.80	0.35	4.00
1x120	1.00	0.44	5.00
1x150	1.25	0.55	6.25
1x200	1.67	0.73	8.34
1x300	2.5	1.09	12.5
2x96	1.60	0.70	4.00x2
3x96	2.40	1.04	4.00x3
4x96	3.20	1.39	4.00x4

**Remote Distance Guide (Wire by Others) - 24v Output**

Model	Max #12	Max #14	Max #16	Max #18	Max #22
1x30	180'	110'	70'	45'	17'
1x60	90'	55'	35'	22'	8'
1x96	55'	35'	22'	14'	5'
1x120	45'	28'	17'	11'	4'
1x150	35'	22'	14'	9'	3'
1x200	26'	17'	10'	6'	NR
1x300	18'	11'	7'	4'	NR
2x96	55'	35'	22'	14'	5'
3x96	55'	35'	22'	14'	5'
4x96	55'	35'	22'	14'	5'

% Voltage Drop not to exceed 3%  
Distances based on max driver load  
NR = Not Recommended

